

**PRODUCT CODE: EWS2**  
SWITCH & SOCKET BOX

**DESCRIPTION**

25mm 1 Gang Switch & Socket Box

**FINISH**

Pre Galvanised

**MATERIAL**

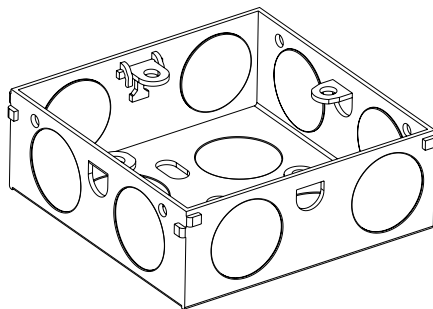
Sheet steel to comply with BS4662

**PACKAGING**

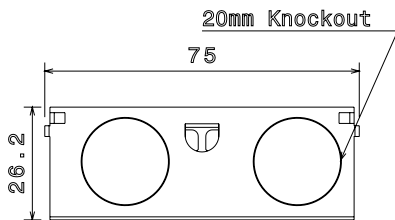
Packed in qty 10

**ADDITIONAL NOTES**

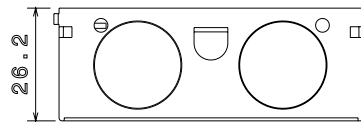
Comprises body and earth terminal with screw  
3 fixed lugs and 1 adjustable lug, 20mm Knockouts  
Compliant to BS4662 & LU Standard 1-085 (for use on surface & sub-surface locations)



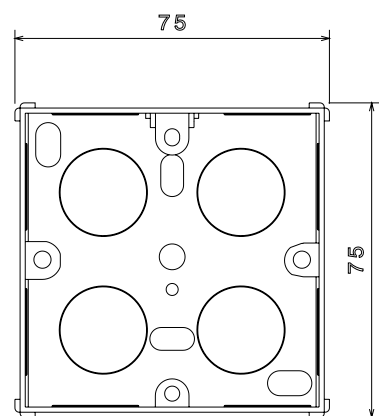
Isometric view



Front view



Side view



Top view